



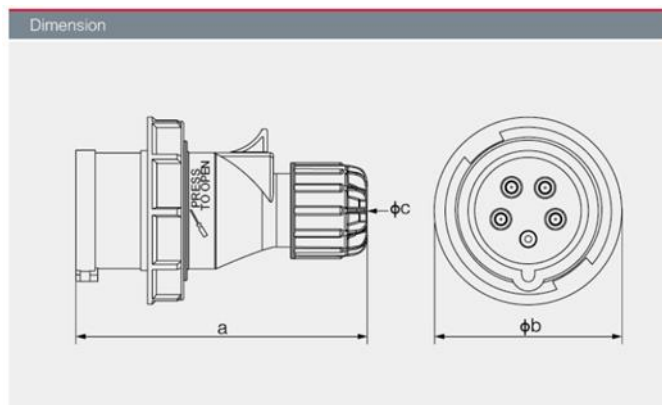
**Product Code**

**VP30026**



**16A 2P+E Industrial Plug IP67**

|   |
|---|
| ★ Rated current:16A   |
| ★ Rated voltage: 220-250V   |
| ★ No. of poles:2P+E   |
| ★ Protection degree: IP67   |
| ★ Housing material: Flame Retardant PA6 RoHS Reach<br>Contact: nickel-plated brass RoHS Reach |
| ★ Standards: IEC60309-1, IEC60309-2   |
| ★ Certificates: S,CB,CE,TUV,ISO9001:2008,RoHS,REACH   |



| Current                      | 16A   |     |     | 32A   |     |      |
|------------------------------|-------|-----|-----|-------|-----|------|
| Pole                         | 3     | 4   | 5   | 3     | 4   | 5    |
| a                            | 120   | 125 | 133 | 150   | 150 | 155  |
| b                            | 71    | 79  | 87  | 93    | 93  | 99.5 |
| c                            | 15    | 15  | 17  | 22    | 22  | 22   |
| Cable size(mm <sup>2</sup> ) | 1~2.5 |     |     | 2.5~6 |     |      |

